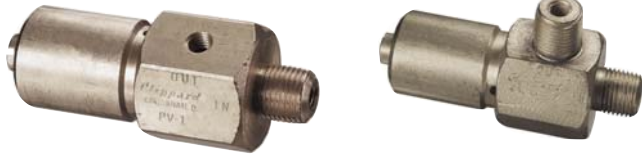


## Miniature Pulse Valves

A Normally-Open 3-way valve that closes shortly after being pressurized and remains closed until supply pressure is exhausted and repressurized. Widely used in control circuits.



**Medium:** Air

**Input Pressure:** 40 to 150 psig/20 bar max.

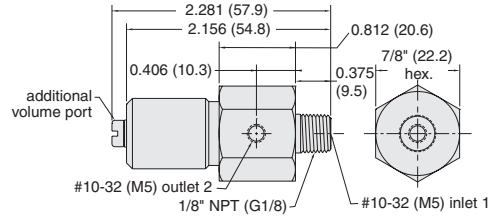
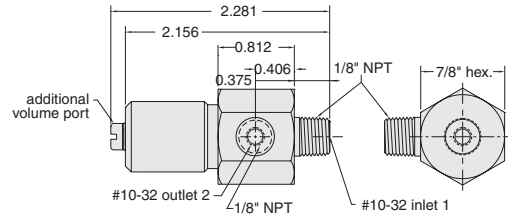
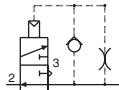
**Mounting:** 1/8" NPT (G1/8) thread; nut furnished

**Volume Chamber:** #10-32 (M5)

**Operation:** Converts a continuous supply of inlet air into a pulse of approximately 100 milliseconds

**Response:** 300 cycles per minute; time delay may be increased by adding standard Clippard volume chambers not to exceed 3 cu. in.

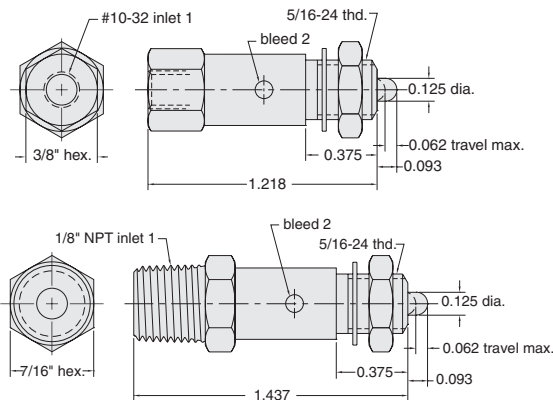
**Construction:** Body - ENP brass, Seals - Buna-N rubber, Spring - stainless steel, Poppet - Delrin®



Part No.	Description
<b>PV-1</b>	<b>Pulse Valve, #10-32</b>
<b>PV-1-M5</b>	<b>Pulse Valve, M5 Metric</b>
<b>PV-1P</b>	<b>Pulse Valve, 1/8" NPT</b>

## Normally-Closed 2-Way Pilot Sensor

For use with pressure piloted control circuits, can repeatedly detect a position within 0.005" properly mounted. In jigs or fixtures it will signal correct position and start-ok to control circuit.



**Medium:** Air

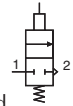
**Stem Travel:** 1/16" max. (will open and close in as little as 0.005")

**Input Pressure:** 300 psig max.

**Air Flow:** 3 scfm @ 50 psig; 6 scfm @ 100 psig

**Force For Full Stem Travel:** 7 oz. nominal

**Mounting:** #15/16-24 thread. Nut and lockwashers furnished



Part No.	Description
<b>MPS-2</b>	<b>Poppet Valve with Pilot Sensor, #10-32</b>
<b>MPS-2-P</b>	<b>Poppet Valve with Pilot Sensor, 1/8" NPT</b>

## Additional Valve Specifications

**Materials:** Brass body, Buna-N seals, stainless steel stem and spring

**Temperature range:** 32 to 230°F (0 to 110°C)

**Options:** Consult the factory concerning the price and availability of the following standard options:

- NP** - Nickel Plating
- ENP** - Electroless Nickel Plating
- E** - EPDM Seals
- M5** - M5 x 0.8 threaded ports
- MG** - G1/8 ports
- V** - Viton Seals